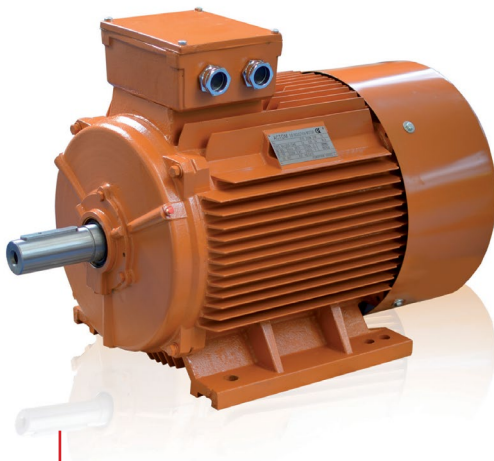


ACTOM ELECTRICAL MOTORS

NV1: Std Electric Motor



General Data:

Product Information:

Low Voltage TEFC frame electric motors to IEC60034

Ratings From 0,37kW to 200kW at 400V and 525V

Standard Efficiency to IEC60034-30 (IE1)

Enclosures IP55 enclosures and class F insulation

Typical

Application:

Application Please see attached brochure
Designed for brochure

Specifications:

Please Download the ACTOM Brochure Attached for all of the Product Specifications

ACTOM NV1 Range of Cast Iron LV Motors

**2 POLE
SPEED**



PERFORMANCE DATA

Rated Output kW	Frame Size	Rated Speed r/min	No of Poles	Shaft Size mm	Motor Weight Kg	Rated Current @ 400 V	Rated Current @ 525 V	Rated Torque Nm	EFF (%) at Rated Output	PF at Rated Output	Locked Rotor Ratios DOL		BDT Ratio	Noise dB (A)
											Torque	Current		
0,75	80	2830	2	19.0	16	1.8	1.4	2.5	75.0	0.83	2.2	6.1	2.3	67
1,1	80	2830	2	19.0	17	2.6	2.0	3.7	77.0	0.84	2.2	7.0	2.3	67
1,5	90S	2840	2	24.0	22	3.4	2.6	5.0	79.0	0.84	2.2	7.0	2.3	72
2,2	90L	2840	2	24.0	25	4.9	3.7	7.4	81.0	0.85	2.2	7.0	2.3	72
3	100L	2870	2	28.0	33	6.3	4.8	10.0	83.0	0.87	2.2	7.5	2.3	76
4	112M	2890	2	28.0	45	8.1	6.2	13.2	85.0	0.88	2.2	7.5	2.3	77
5,5	132S	2900	2	38.0	64	11.0	8.4	18.1	86.0	0.88	2.2	7.5	2.3	80
7,5	132S	2900	2	38.0	70	14.9	11.4	24.7	87.0	0.88	2.2	7.5	2.3	80
11	160M	2930	2	42.0	110	21.3	16.2	35.9	88.0	0.89	2.2	7.5	2.3	86
15	160M	2930	2	42.0	125	28.8	21.9	48.9	89.0	0.89	2.2	7.5	2.3	86
18,5	160L	2930	2	42.0	147	34.7	26.4	60.3	90.0	0.90	2.2	7.5	2.3	86
22	180M	2940	2	48.0	180	41.0	31.2	74.2	90.0	0.90	2.0	7.5	2.3	89
30	200L	2950	2	55.0	240	55.5	42.3	97.1	91.2	0.90	2.0	7.5	2.3	92
37	200L	2950	2	55.0	255	67.9	51.7	119.8	92.0	0.90	2.0	7.5	2.3	92
45	225M	2970	2	55.0	309	82.3	62.7	144.7	92.3	0.90	2.0	7.5	2.3	92
55	250S	2970	2	60.0	403	101.0	77.0	176.8	92.5	0.90	2.0	7.5	2.3	93
75	250M	2970	2	60.0	544	134.0	102.1	241.2	93.0	0.90	2.0	7.5	2.3	94
90	280S	2970	2	65.0	620	160.0	121.9	289.4	93.8	0.91	2.0	7.5	2.3	94
110	280M	2970	2	65.0	632	195.0	148.6	353.7	94.0	0.91	1,8	7.1	2.2	96

All values are subject to change without prior notice. For guaranteed values, please contact an ACTOM ELECTRICAL MACHINES outlet. All values are subject to IEC tolerances.

Frame - IEC Frame Size

Lock Rotor Ratios - Pu Value torque & current

BDT - Break Down Torque

DOL - Direct on Line

Values given are for 50Hz supply

Document CTP
002/2

ACTOM NV1 Range of Cast Iron LV Motors

PERFORMANCE DATA

**4 POLE
SPEED**



Output kW	Size	Speed r/min	Poles	Size mm	Weight Kg	Current @ 400 V	Current @ 525 V	Torque Nm	at Rated Output	at Rated Output	Ratios DOL		Ratio	dB (A)
											Torque	Current		
0,37	71	1330	4	14.0	16	1.1	N/A	2.7	67.0	0.75	2.1	5.2	2.2	55
0,55	80	1390	4	19.0	17	1.6	1.2	3.8	71.0	0.75	2.4	5.2	2.3	58
0,75	80	1390	4	19.0	18	2.0	1.5	5.2	73.0	0.76	2.3	6.0	2.3	58
1,1	90S	1400	4	24.0	22	2.9	2.2	7.5	75.0	0.77	2.3	6.0	2.3	61
1,5	90L	1420	4	24.0	27	3.7	2.8	10.2	78.0	0.79	2.3	6.0	2.3	61
2,2	100L	1420	4	28.0	34	5.2	4.0	14.8	80.0	0.81	2.3	7.0	2.3	64
3	100L	1420	4	28.0	38	6.8	5.2	20.2	82.0	0.82	2.3	7.0	2.3	64
4	112M	1440	4	28.0	43	8.8	6.7	26.5	84.0	0.82	2.3	7.0	2.3	65
5,5	132S	1440	4	38.0	68	11.8	9.0	36.5	85.0	0.83	2.3	7.0	2.3	71
7,5	132M	1440	4	38.0	81	15.6	11.9	49.7	87.0	0.84	2.3	7.0	2.3	71
11	160M	1460	4	42.0	123	22.3	17.0	71.6	88.0	0.84	2.2	7.0	2.3	75
15	160L	1460	4	42.0	144	30.1	22.9	98.1	89.0	0.85	2.2	7.5	2.3	75
18,5	180M	1470	4	48.0	182	36.5	27.8	120.2	90.5	0.86	2.2	7.5	2.3	76
22	180L	1470	4	48.0	190	43.2	32.9	142.9	91.0	0.86	2.2	7.5	2.3	76
30	200L	1480	4	55.0	270	57.6	43.9	161.0	92.0	0.86	2.2	7.2	2.3	79
37	225S	1480	4	60.0	284	69.9	53.3	198.5	92.5	0.87	2.2	7.2	2.3	81
45	225M	1480	4	60.0	320	84.7	64.5	290.4	92.8	0.87	2.2	7.2	2.3	81
55	250S	1480	4	70.0	427	103.0	78.5	354.9	93.0	0.87	2.2	7.2	2.3	83
75	250M	1480	4	70.0	562	140.0	106.7	483.9	93.8	0.87	2.2	7.2	2.3	86
90	280S	1490	4	80.0	667	167.0	127.3	576.8	94.2	0.87	2.2	7.2	2.3	86
110	280M	1490	4	80.0	672	201.0	153.2	705.0	94.5	0.88	2.1	6.9	2.2	93
132	315S	1490	4	85.0	1100	229.0	174.5	846.0	94.8	0.88	2.1	6.9	2.2	96
160	315M	1490	4	85.0	1160	272.7	207.8	1025.0	94.9	0.88	2.1	6.9	2.2	100

All values are subject to change without prior notice. For guaranteed values, please contact an **ACTOM ELECTRICAL MACHINES** outlet. All values are subject to IEC tolerances.

Frame - IEC Frame Size

Lock Rotor Ratios - Pu Value torque & current

BDT - Break Down Torque

DOL - Direct on Line

Values given are for 50Hz supply

Document CTP
002/2

ACTOM NV1 Range of Cast Iron LV Motors

PERFORMANCE DATA

**6 POLE
SPEED**



Rated Output kW	Frame Size	Rated Speed r/min	No of Poles	Shaft Size mm	Motor Weight Kg	Rated Current @ 400 V	Rated Current @ 525 V	Rated Torque Nm	EFF (%) at Rated Output	PF at Rated Output	Locked Rotor Ratios DOL		BDT Ratio	Noise dB (A)
											Torque	Current		
0,55	80	900	6	19.0	16	1.8	1.4	5.8	65.0	0.72	1.9	4.7	2.1	54
0,75	90S	910	6	24.0	19	2.3	1.8	7.9	69.0	0.72	2.0	5.5	2.1	57
1,1	90L	910	6	24.0	22	3.2	2.4	11.6	72.0	0.73	2.0	5.5	2.1	57
1,5	100L	940	6	28.0	32	3.9	3.0	15.2	76.0	0.76	2.0	5.5	2.1	61
2,2	112M	940	6	28.0	41	5.6	4.3	22.3	79.0	0.76	2.1	6.5	2.1	65
3	132S	960	6	38.0	63	7.4	5.6	29.8	81.0	0.76	2.1	6.5	2.1	69
4	132M	960	6	38.0	72	9.9	7.5	39.8	82.0	0.76	2.1	6.5	2.1	69
5,5	132M	960	6	38.0	81	12.9	9.8	54.7	84.0	0.77	2.1	6.5	2.1	69
7,5	160M	970	6	42.0	118	16.9	12.9	73.8	86.0	0.78	2.0	6.5	2.1	73
11	160L	970	6	42.0	145	24.2	18.4	108.3	87.5	0.79	2.0	6.5	2.1	73
15	180L	970	6	48.0	178	31.6	24.1	147.7	89.0	0.81	2.1	7.0	2.1	73
18,5	200L	970	6	55.0	200	38.6	29.4	182.1	90.0	0.81	2.1	7.0	2.1	76
22	200L	970	6	55.0	228	44.7	34.1	216.6	90.0	0.83	2.1	7.0	2.1	76
30	225M	980	6	60.0	306	56.3	42.9	292.3	91.5	0.84	2.0	7.0	2.1	76
37	250S	980	6	70.0	419	67.3	51.3	360.6	92.0	0.86	2.1	7.0	2.1	78
45	250M	980	6	70.0	426	80.0	61.0	438.5	92.5	0.88	2.1	7.0	2.0	80
55	280S	980	6	80.0	614	99.3	75.7	535.0	92.8	0.86	2.1	7.0	2.0	80
75	280M	990	6	80.0	635	132.0	100.6	723.0	93.5	0.88	2.0	7.0	2.0	85

All values are subject to change without prior notice. For guaranteed values, please contact an **ACTOM ELECTRICAL MACHINES** outlet. All values are subject to IEC tolerances.

Frame - IEC Frame Size **Lock Rotor Ratios** - Pu Value torque & current

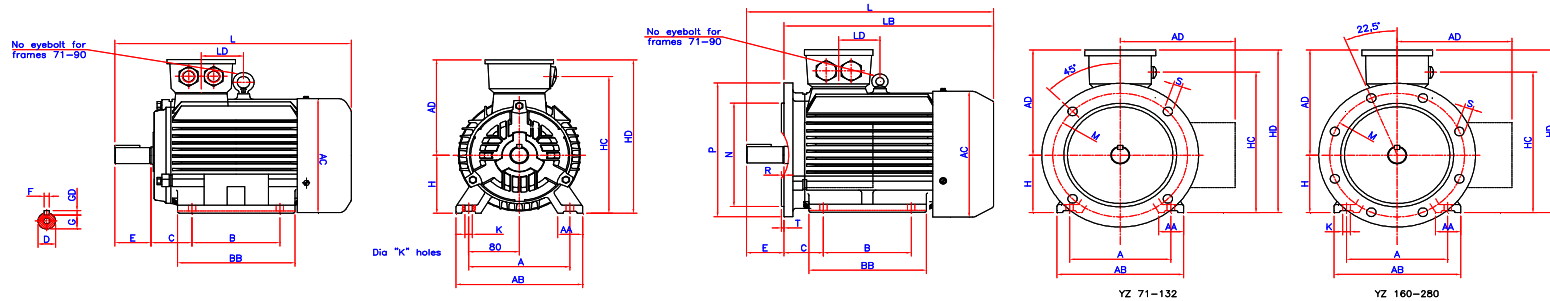
BDT - Break Down Torque

DOL - Direct on Line

Values given are for 50Hz supply

Document CTP
002/2

ACTOM CAST IRON STD RANGE 3 PHASE T.E.F.C. INDUCTION MOTOR.



PRODUCT DIMENSION TABLES

FRAME SIZE QL1 63-132 & LA5 160-180



FRAME SIZE	POLE	A	B	C	D	E	F	G	H	K	R	M	N	P	S	T	AB	AC	HD	L	AD	LD	BB	AA
71	4	112	90	40	14	30	5	11	71	7	0	130	110	160	4X10	3.5	150	145	195	255	80	N/A	125	32
80	2-6	125	100	50	19	40	6	15.5	80	10	0	165	130	200	4X12	3.5	165	175	220	295	130	N/A	135	37
90S	2-6	140	100	56	24	50	8	20	90	10	0	165	130	200	4X12	3.5	180	195	250	320	140	N/A	135	37
90L	2-6	140	125	56	24	50	8	20	90	10	0	165	130	200	4X12	3.5	180	195	250	345	140	N/A	160	37
100L	2-6	160	140	63	28	60	8	24	100	12	0	215	180	250	4X15	4	205	215	270	385	155	N/A	180	42
112M	2-6	190	140	70	28	60	8	24	112	12	0	215	180	250	4X15	4	230	240	300	400	185	N/A	185	52
132S	2-6	216	140	89	38	80	10	33	132	12	0	265	230	300	4X15	4	270	275	345	470	215	N/A	205	63
132M	4-6	216	178	89	38	80	10	33	132	12	0	265	230	300	4X15	4	270	275	345	510	215	N/A	243	63
160M	2-6	254	210	108	42	110	12	37	160	15	0	300	250	350	4X19	5	320	330	420	615	240	55	275	73
160L	2-6	254	254	108	42	110	12	37	160	15	0	300	250	350	4X19	5	320	330	420	670	240	55	320	73
180M	2-4	279	241	121	48	110	14	42.5	180	15	0	300	250	350	4X19	5	355	380	455	700	260	86	315	73
180L	4-6	279	279	121	48	110	14	42.5	180	15	0	300	250	350	4X19	5	355	380	455	740	260	105	345	73
200L	2-6	318	305	133	55	110	16	49	200	15	0	350	300	400	4X19	5	395	420	505	770	300	102	378	73
225S	4	356	286	149	60	140	18	53	255	19	0	400	350	450	8X19	5	435	470	560	815	335	103	388	83
225M	2	356	311	149	55	110	16	49	255	19	0	400	350	450	8X19	5	435	470	560	815	335	116	407	83
225M	4-6	356	311	149	60	140	18	53	255	19	0	400	350	450	8X19	5	435	470	560	845	335	116	407	83
250S	2	406	311	168	60	140	18	53	250	24	0	500	450	550	8X19	5	490	510	615	870	370	120	425	88
250S	4-6	406	311	168	70	140	20	62.5	250	24	0	500	450	550	8X19	5	490	510	615	870	370	120	425	88
250M	2	406	349	168	60	140	18	53	250	24	0	500	450	550	8X19	5	490	510	615	910	370	131	458	88
250M	4-6	406	349	168	70	140	20	62.5	250	24	0	500	450	550	8X19	5	490	510	615	910	370	131	458	88
280S	2	457	368	190	65	140	18	58	280	24	0	500	450	550	8X19	5	550	580	680	985	410	168	535	93
280S	4-6	457	368	190	80	170	22	71	280	24	0	500	450	550	8X19	5	550	580	680	1015	410	168	535	93
280M	2	457	419	190	65	140	18	58	280	24	0	500	450	550	8X19	5	550	580	680	1035	410	194	586	93
280M	4-6	457	419	190	80	170	22	71	280	24	0	500	450	550	8X19	5	550	580	680	1065	410	194	586	93
315S	4	508	406	216	85	140	22	76	315	28	0	600	550	660	8X24	6	635	645	800	1270	530	205	610	120
315M	4	508	457	216	85	170	22	76	315	28	0	600	550	660	8X24	6	635	645	800	1300	530	240	660	120

Values indicated are subject to change without prior notice. For installation and construction contact **ACTOM Electrical Machines** for certified dimensions.

Complete your Project:

Please select the items you require and we will be in touch

Cables and Wires:

Indoor
Outdoor
General
Other
Let an ACTOM
Specialist Contact you

Lighting:

Indoor
Outdoor
General
Other
Let an ACTOM
Specialist Contact you

Transformers (Distribution):

Indoor
Outdoor
General
Other
Let an ACTOM
Specialist Contact you

Accessories:

Indoor
Outdoor
General
Other
Let an ACTOM
Specialist Contact you

Specific Information:

Address: 4 Branch Road, Germiston 1401, P.O. Box 678, Germiston 1400

For more Information on this Product Please Send us the Following

Product Information:

Product Name:

Quantity:

Project Name:

Date the Product is required:

Your Contact Information:

Name and Surname:

Company:

Email:

Phone Number:

Province:

Thank You

For having a Look at this Product

Please send this PDF back to us with all your Information

Scan the QR Code to visit our Website:

